



# 10.33C

## BACKHOE LOADER 4 WHEEL STEERING



### DIESEL ENGINE

4-cylinder in-line, turbocharged, charge air cooling, common Rail injection system electronically controlled, external exhaust gas recirculation, water cooled, dry filtration, oxidation catalyst (DOC) Emissioned according to CEE 97/68 -Tier 4i.

Type .....	Deutz TCD 3.6 L4
Max power. ....	78 kW - 106 HP
Rated rpm .....	2.300
Power ISO/TR 14396 .....	74,4 kW - 101 HP
Power EEC 80/1269 .....	74,4 kW - 101 HP
Max torque .....	ft lbf 302
Bore .....	in 3.86
Stroke .....	in 4.72
Displacement .....	in <sup>3</sup> 221

### ELECTRIC SYSTEM

Battery .....	12 Volt
Capacity EN 60095-1 .....	110 Ah - 1100 A
Alternator rating .....	95 A
Reverse warning .....	Standard
Wiring according with .....	IP 67 DIN 40050

### TRANSMISSION

Hydrostatic transmission with automatic power regulation and closed circuit with variable displacement pump and motor.

Gearbox with 2 mechanical selections: 2 work speeds (fwd/rev) and 2 road speeds (fwd/rev).

Work speed	FORWARD	REVERSE
1 <sup>st</sup> gear mph	0÷4	0÷4
2 <sup>st</sup> gear mph	0÷8	0÷8 (automatic selection)
Road speed		
1 <sup>st</sup> gear mph	0÷11	0÷11
2 <sup>st</sup> gear mph	0÷25	0÷25 (automatic selection)

### AXLES

Designed for Heavy Duty. All-wheel drive. Planetary final drives in each wheel. Front axle: steering and oscillating up to a total angle of 20° Rear axle: steering and fixed to the frame

### BRAKE SYSTEM

Service: multi-disc oil brakes on all wheels.  
Parking: mechanical brake operating on the service brake, manually actuated.

### TYRES

Standard .....	405/70 R 24
Option .....	15.5 R25 • 17.5 L 24

### STEERING

Servo-assisted through hydraulic steering:

- on front wheels for road transport
- on each wheel inside the working site, where the maximum maneuverability in reduced spaces is required.
- on each wheel for crab steering inside the working site for side displacement.

Inner tyres turning radius .....	ft in 7'2.61"
Outer tyres turning radius .....	ft in 15'5.04"
Outer bucket turning radius .....	ft in 18'4.47"

### HYDRAULIC SYSTEM

Composed of two gear pumps, the first for the loader circuit and steering, the second for the circuit of the fan, having a double speed of rotation. Modular two-element control valve for the loader,

modular six-element control valve for the backhoe regenerative type, with unloading valve for reducing consumption during transfer. Double acting hydraulic cylinder. Cylinder 1<sup>st</sup> backhoe arm with brake at maximum height. Hydraulic oil cooling radiator. Full-flow oil filter on the leakage pipe.

Max flow .....	gpm 34.34
Loader relief valve pressure .....	psi 3,046
Steering relief valve pressure .....	psi 2,538
Lift cylinder .....	in 3.54x26.18
Bucket cylinder .....	in 4.33x17.52

### Loader control

Single lever arm-control with 4-position lifting system and with 3-position bucket system.

### Backhoe control

Two levers backhoe control, "cloche" type.  
Two hydraulic-control independent stabilizers.  
Side translation with four hydraulic locking devices.

### SERVICE CAPACITIES

Engine .....	gal	2.11
Front axle .....	gal	2.85
Rear axle .....	gal	2.85
Gear box .....	gal	0.42
Hydraulic circuit .....	gal	29.06
Brake system .....	gal	0.24
Fuel .....	gal	29.06
Water cooling .....	gal	6.34

### TECHNICAL FEATURES

#### Loader

Standard bucket capacity .....	yd <sup>3</sup>	1,57
Bucket width .....	ft in	7'8.52"
Breakout force .....	lbs	20,062

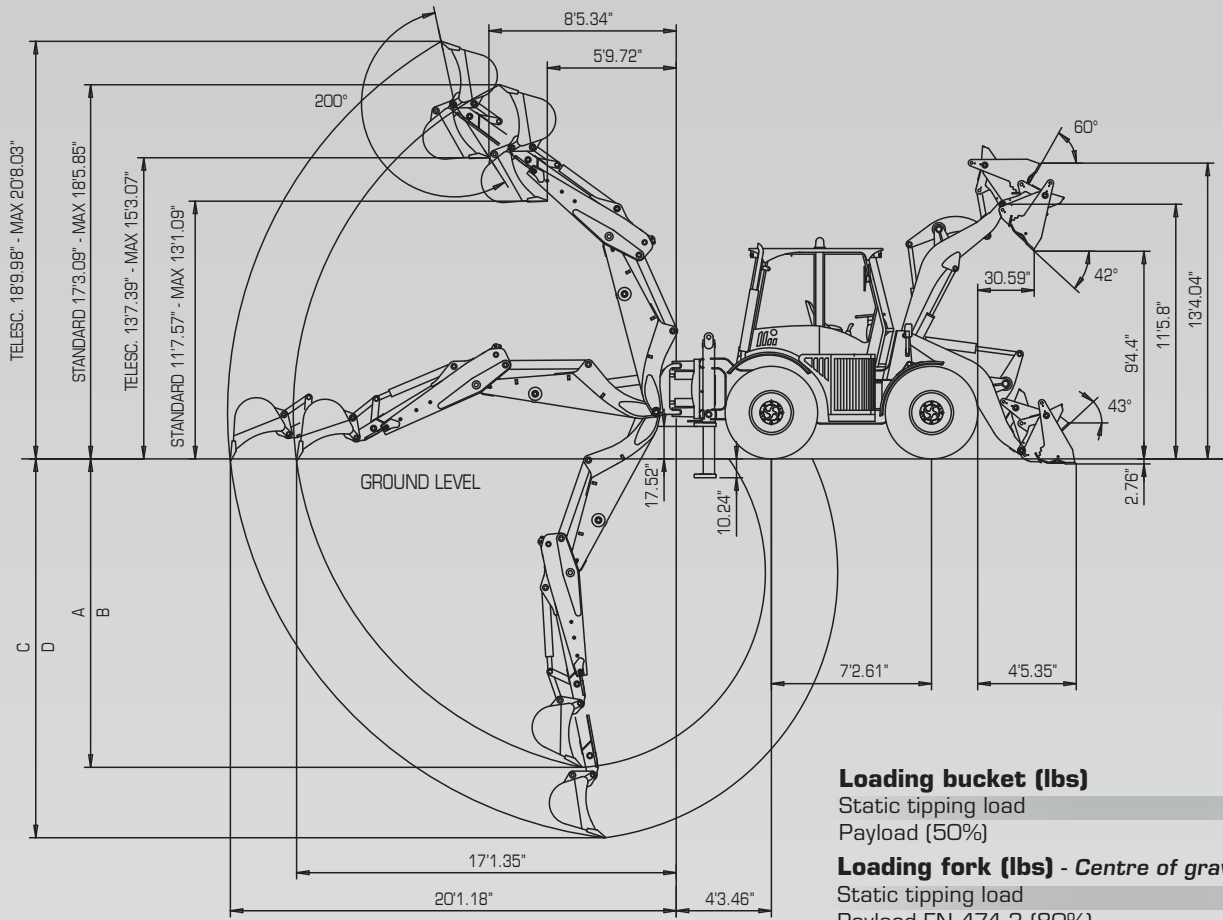
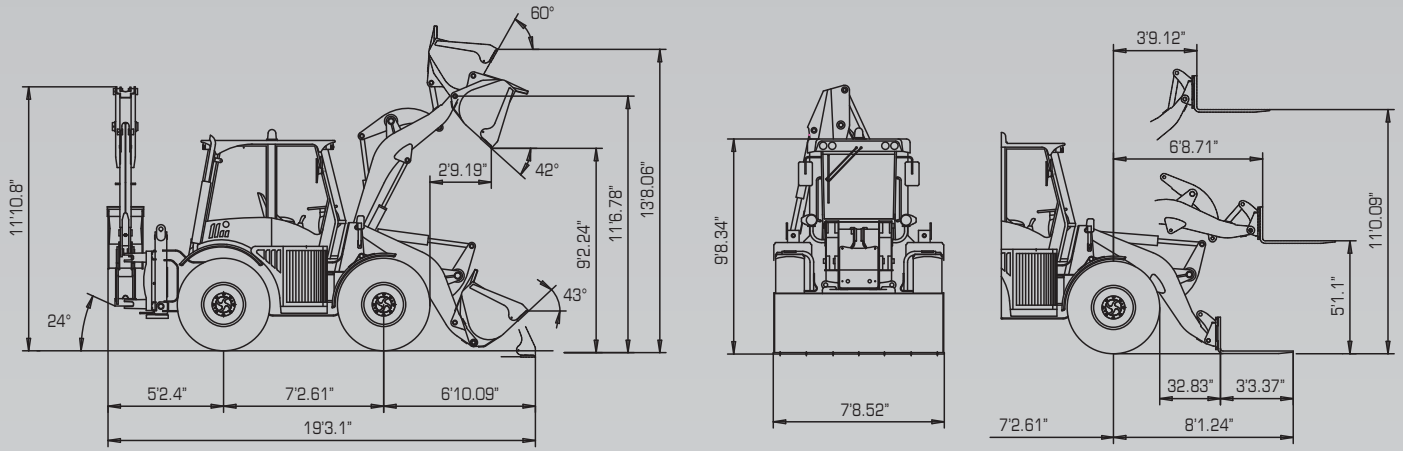
#### Backhoe loader

Type .....	VF	4.45C
Standard bucket capacity .....	gal	42.27
Bucket width .....	in	19.69"
Dipperstick max penetration capacity .....	lbs	9,811
Max breakout force on the bucket tpe .....	lbs	12,125
Lifting capacity on the bucket pin up to max height ...	lbs	3,307
Rotating .....		180°
A - Max digging depth .....	ft in	15'8.98"
B - Standard digging depth .....	ft in	14'5.23"
C - Max digging depth with telescopic (opt.) .....	ft in	19'0.35"
D - Standard digging depth with telescopic (opt) .....	ft in	17'8.6"

### DIMENSIONS AND WEIGHT

Max length in transfer position .....	ft in	19'8.22"
Max width in transfer position .....	ft in	7'8.52"
Width across tyre .....	ft in	7'6.16"
Tracks width .....	ft in	6'2.41"
Ground clearance .....	in	17.72"
Standard weight in running order .....	lbs	18,078
Max permissible weight .....	lbs	20,723

*The illustrations on the present folder do not necessarily show the product standard version. Data and dimensions described in this folder are not binding. Venieri reserves the right of carrying out possible changes at any time and without previous notice because of its policy of steady development and improvement of the products.*



**Loading bucket (lbs)**

Static tipping load	lbs 12,346
Payload (50%)	lbs 6,173

**Loading fork (lbs) - Centre of gravity 19,69"**

Static tipping load	lbs 10,141
Payload EN 474-3 (80%)	lbs 8,157
Payload EN 474-3 (60%)	lbs 5,952
Payload DIN 24094 (50%)	lbs 5,071



**VERIERI**

Via Piratello, 106 - 48022 Lugo (RA) ITALY  
 Tel. +39 0545 904411 - Fax +39 0545 30389  
 e-mail: info@vf-venieri.com [www.vf-venieri.com](http://www.vf-venieri.com)