

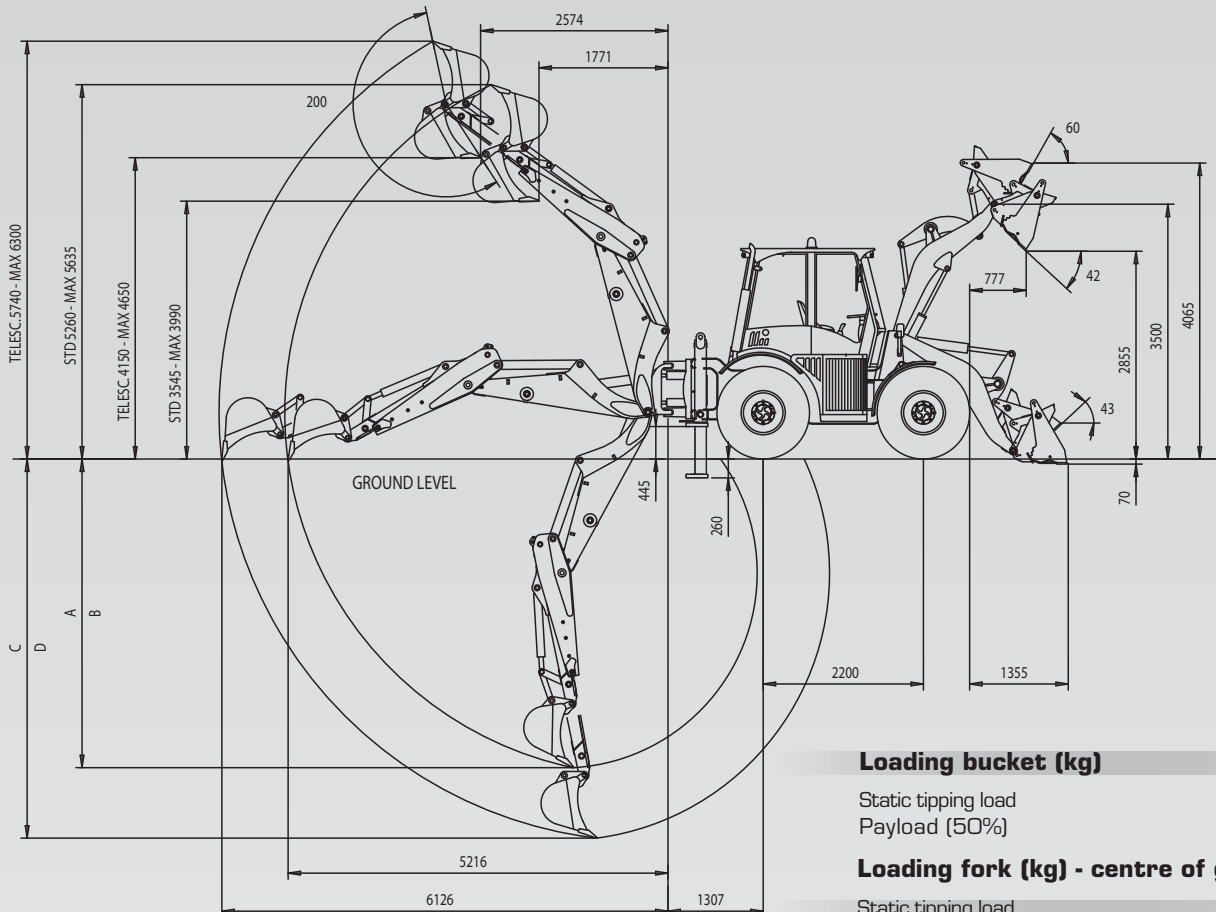
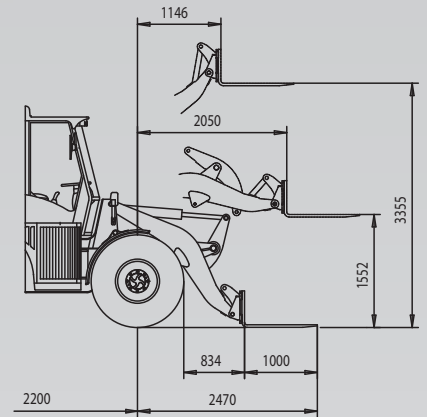
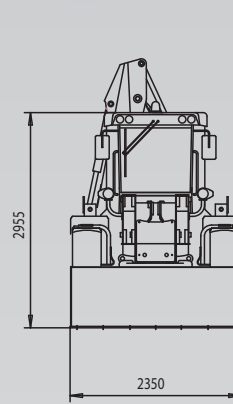
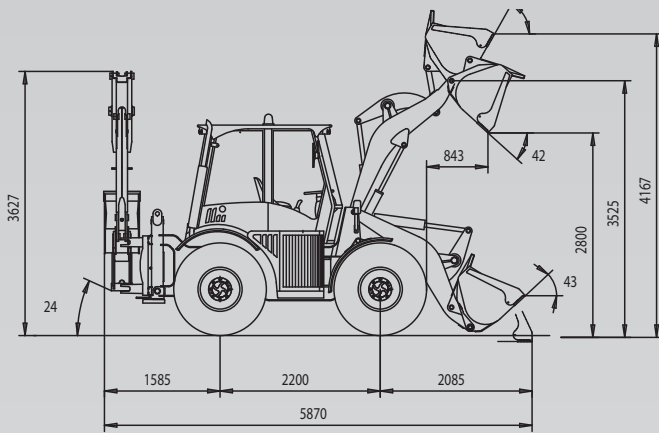


# 10.33C

**BACKHOE LOADER  
4 WHEEL STEERING**



- › Max power 106 HP
- › Bucket capacity 1.2 - 1.5 m<sup>3</sup>
- › Max digging depth 4.80 m (5.80 m)
- › Max permissible weight 9400 kg
- › Hydrostatic transmission
- › 4 wheel drive
- › Stage IIIB / Tier 4i Engine



### Loading bucket (kg)

Static tipping load	5.600
Payload (50%)	2.800

### Loading fork (kg) - centre of gravity 500 mm

Static tipping load	4.600
Payload EN 474-3 (80%)	3.700
Payload EN 474-3 (60%)	2.700
Payload DIN 24094 (50%)	2.300

## DIESEL ENGINE

Engine: 4-cylinder in-line, turbocharged, charge air cooling, common Rail injection system electronically controlled, external exhaust gas recirculation, water cooled, dry filtration, oxidation catalyst (DOC) Emissioned according to CEE 97/68 Stage IIIB/Tier 4i.

Type .....	Deutz TCD 3.6 L4
Max power .....	78 kW - 106 HP
Rated rpm .....	2.300
Power ISO/TR 14396 .....	74,4 kW - 101 HP
Power EEC 80/1269 .....	74,4 kW - 101 HP
Max torque .....	410 Nm
Bore .....	mm 98
Stroke .....	mm 120
Displacement .....	cm <sup>3</sup> 3.620

## ELECTRIC SYSTEM

Battery .....	12 Volt
Capacity EN 60095-1 .....	110 Ah - 1100 A
Alternator rating .....	95 A
Reverse warning .....	Standard
Wiring according with .....	IP 67 DIN 40050

## TRANSMISSION

Hydrostatic transmission with automatic power regulation and closed circuit with variable displacement pump and motor. Gear-box with 2 mechanical selections: 2 work speeds (fwd/rev) and 2 road speeds (fwd/rev).

Work speed	forward	reverse
1 <sup>st</sup> gear km/h	0÷6	0÷6
2 <sup>st</sup> gear km/h	0÷13	0÷13 (automatic selection)

Road speed		
1 <sup>st</sup> gear km/h	0÷18	0÷18
2 <sup>st</sup> gear km/h	0÷40	0÷40 (automatic selection)

## AXLES

Designed for Heavy Duty.  
All-wheel drive.  
Planetary final drives in each wheel.  
Front axle: steering and oscillating up to a total angle of 20°  
Rear axle: steering and fixed to the frame

## BRAKE SYSTEM

Service: multi-disc oil brakes on all wheels.  
Parking: mechanical brake operating on the service brake, manually actuated.

## TYRES

Standard .....	405/70 R 24
Option .....	15.5 R25 • 17.5 L 24

## STEERING

Servo-assisted through hydraulic steering with the following system:

- on front wheels for road transport
- on each wheel inside the working site, where the maximum maneuverability in reduced spaces is required.
- on each wheel for crab steering inside the working site for side displacement.

Inner tyres turning radius .....	mm 2.200
Outer tyres turning radius .....	mm 4.700
Outer bucket turning radius .....	mm 5.600

## HYDRAULIC SYSTEM

Composed of two gear pumps, the first for the loader circuit and steering, the second for the circuit of the fan, having a double speed of rotation. Modular two-element control valve for the loader, modular six-element control valve for the backhoe regenerative type, with unloading valve for reducing consumption during transfer.

Double acting hydraulic cylinder. Cylinder 1<sup>st</sup> backhoe arm with brake at maximum height. Hydraulic oil cooling radiator. Full-flow oil filter on the leakage pipe.

Max flow .....	lt/1'	130
Loader relief valve pressure .....	bar	210
Steering relief valve pressure .....	bar	175
Lift cylinder .....	mm	90x665
Bucket cylinder .....	mm	110x445

## Loader control

Single lever arm-control with 4-position lifting system and with 3-position bucket system.

## Backhoe control

Two levers backhoe control, "cloche" type.  
Two hydraulic-control independent stabilizers.  
Side translation with four hydraulic locking devices.

## SERVICE CAPACITIES

Engine .....	lt	8
Front axle .....	lt	10,8
Rear axle .....	lt	10,8
Gear box .....	lt	1,6
Hydraulic circuit .....	lt	110
Brake system .....	lt	0,9
Fuel .....	lt	110
Water cooling .....	lt	24

## TECHNICAL FEATURES

### Loader

Standard bucket capacity .....	m <sup>3</sup>	1,20
Bucket width .....	mm	2.350
Breakout force .....	kg	9.100

### Backhoe loader

Type .....	VF	4.45C
Standard bucket capacity .....	lt	160
Bucket width .....	mm	500
Dipperstick max penetration capacity .....	kg	4.450
Max breakout force on the bucket tipes .....	kg	5.550
Lifting capacity on the bucket pin up to max height .....	kg	1.500
Rotating .....		180°
A - Max digging depth .....	mm	4.800
B - Standard digging depth .....	mm	4.400
C - Max digging depth with telescopic (opt.) .....	mm	5.800
D - Standard digging depth with telescopic (opt) .....	mm	5.400

## DIMENSIONS AND WEIGHT

Max lenght in transfer position .....	mm	6.000
Max width in transfer position .....	mm	2.350
Width across tyre .....	mm	2.290
Tracks width .....	mm	1.890
Ground clearance .....	mm	450
Standard weight in running order .....	kg	8.200
Max permissible weight .....	kg	9.400



Via Piratello, 106 - 48022 Lugo (RA) ITALY  
Tel. +39 0545 904411 Fax +39 0545 30389  
e-mail: info@vf-venieri.com [www.vf-venieri.com](http://www.vf-venieri.com)  
**Spare Parts**  
Tel. +39 0545 904429 Fax +39 0545 24555