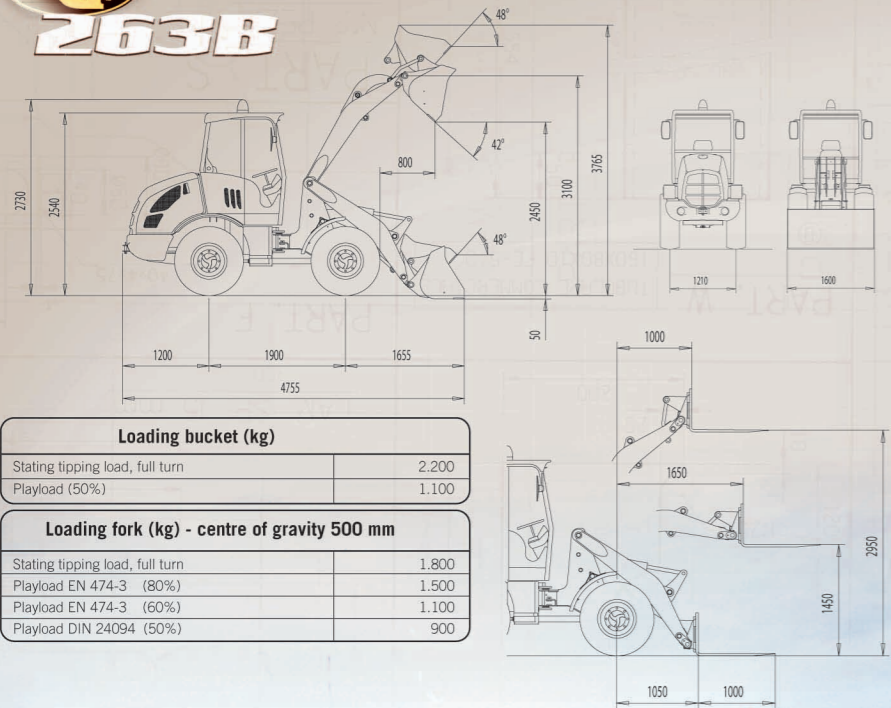




# 263B



### Loading bucket (kg)

Stating tipping load, full turn	2.200
Payload (50%)	1.100

### Loading fork (kg) - centre of gravity 500 mm

Stating tipping load, full turn	1.800
Payload EN 474-3 (80%)	1.500
Payload EN 474-3 (60%)	1.100
Payload DIN 24094 (50%)	900



# 263B



[www.vf-venieri.com](http://www.vf-venieri.com)



## VF Venieri s.p.a.

AZIENDA CON SISTEMA QUALITÀ  
CERTIFICATO DA DNV  
= UNI EN ISO 9001/2000 =

Via Piratello, 106 - 48022 LUGO (RA) ITALIA Tel. +39 0545 904411 Fax +39 0545 30389 SERVIZIO RICAMBI Tel. +39 0545 904429 Fax +39 0545 24555

# Venieri s.p.a.

Eng



# 263B

- > Max power 54 CV
- > Bucket capacity 0,6-1,0 m<sup>3</sup>
- > Max operative weight 4.000 Kg
- > Hydrostatic transmission
- > 4 wheel drive



### Standard equipment

- Acoustic warning
- 0,6 m<sup>3</sup> bucket with bolted teeth
- ROPS/FOPS cab with heater, pressurizer recirculating fan with front and rear windscreen wiper and windshield washer
- Complete instrument board
- Draw bar hook
- Limited Slip differential on front axle
- Fully adjustable seat
- Operation and maintenance manual
- Plugs with key for fuel and hydraulic tanks
- Safety clamp for lifting cylinder
- Seat belt
- Side rearview mirrors
- Soundproofing
- Spare parts catalogue
- Tool box
- Visual index for bucket position
- Working lights
- Yellow rotating and overtuning beacon

Yesterday,  
today  
and  
tomorrow

### > ENGINE

Engine: 4 cylinder, indirect injection, water-cooled, paper dry filter.  
Emissioned according to CEE 97/68 Standard tier 2

Type Perkins	404C-22
Max power	40 kW - 54 CV
Rated rpm	2600
Net power ISO/TR 14396	38kW - 51 CV
Net power EEC/80/1269	38kW - 51 CV
Bore mm	84
Stroke mm	100
Displacement cm <sup>3</sup>	2216

### > ELECTRIC SYSTEM

Battery	12 Volt
Capacity	80 Ah - 720 A
Alternator rating	65 A
Reverse warning	Standard
Wiring according with	IP 67 e DIN 40050

### > TRANSMISSION

Hydrostatic transmission with automatic power regulation and closed circuit with variable displacement pump and motor.  
Two forward/reverse speeds with single-lever control.

	forward	reverse
1a gear km/h	0+7	0+7
2a gear km/h	0+20	0+20

Automatic 2<sup>a</sup> gear on request

### > AXLES

Two heavy duty equal size axles with planetary final drives in each wheel.  
All-wheel drive.  
Fixed rigid drive axle on front chassis section.  
Oscillation drive axle on rear chassis section up to a total angle of 20°.

Transfer gearbox transferring movement directly to the rear and to the front axle via a transmission shaft.  
Self locking limited slip differential on front axle.  
Self locking limited slip differential on rear axle (optional).

### > BRAKES

Service: drum-brake hydraulically operating on front axle working on all the wheels.  
Parking: mechanic drum-brake operating on the service brake, manually actuated.

### > TYRES

Standard: 12.0/75-18 12 pr  
Option: 10.5-18 10 pr 12.5-18 10 pr

### > STEERING

Servo-assisted steering LOAD SENSING system

Total steering angle		80°
Inner tyres turning radius	mm	1850
Outer tyres turning radius	mm	3350
Outer bucket turning radius	mm	3800

### > HYDRAULIC SYSTEM

Hydraulic gear pump with LOAD SENSING priority valv for the steering circuit.  
Modular two-element control valve with main relief valve.  
Double acting hydraulic cylinders.  
Hydraulic oil cooling radiator.  
Full-flow oil filter on the leakage pipe.  
Single cloche-lever arm-control with 4-position lifting system and 3-position bucket system

Max flow	lit/1'	58
Loader relief valve pressure	bar	210
Steering relief valve pressure	bar	175
Lift cylinders	mm	95x636
Bucket cylinder	mm	80x285
Cycle time	sec	8.7

### > SERVICE CAPACITIES

Engine	kg	7
Rear differential + gearbox	kg	2,8
Front differential	kg	2
Planetary final drives	kg	0,2
Hydraulic circuit	kg	60
Brake system	kg	1
Fuel	lit	60
Water cooling	lit	15

### > TECNICAL FEATURES

Standard bucket capacity	m <sup>3</sup>	0,6
Bucket width	mm	1600
Static tipping load:		
straight	kg	2400
full turn 40°	kg	2200
Lifting capacity at max height	kg	2000
Dump clearance	mm	3100
Dump height at 45°	mm	2450
Reach at 45°	mm	800
Breakout force	kg	4500
<b>Dimensions and weights:</b>		
Max length transfer position	mm	4850
Max width in transfer position	mm	1600
Track	mm	1200
Tracks width	mm	1550
Ground clearance	mm	400
Standard operating weight	kg	3500
Max. operating weight	kg	4000

